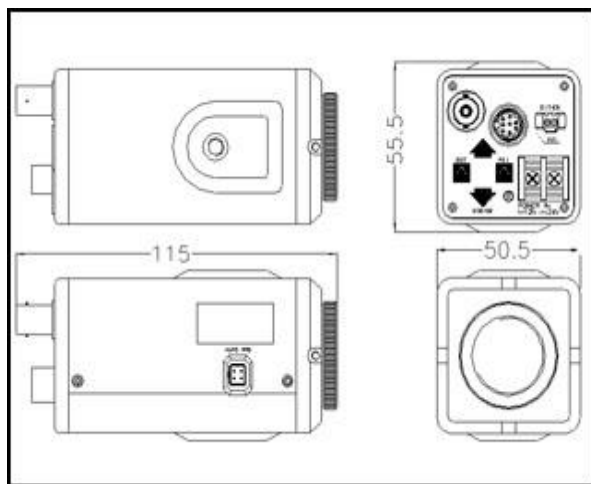


SUPER WIDE DYNAMIC COLOR CAMERA

1:100,000 Wide Dynamic Range and Without Time Lag Image

Product Description:

- 1:100,000 Wide Dynamic Range without Time Lag Image;
- Wide Dynamic Performance by 2-Channel Parallel Image
- Capture Process
- CCD&CISII Interlace/Progressive Scan
- High Sensibility/ Low illumination
- 3D DNR(Digital Noise Reduction)
- OSD (On-Screen Display)
- Analog Output: PAL/ NTSC
- Digital Output: ITU-656, Full D1 (27Mhz),
- LVDS (V-by-One)(840 Mbps)



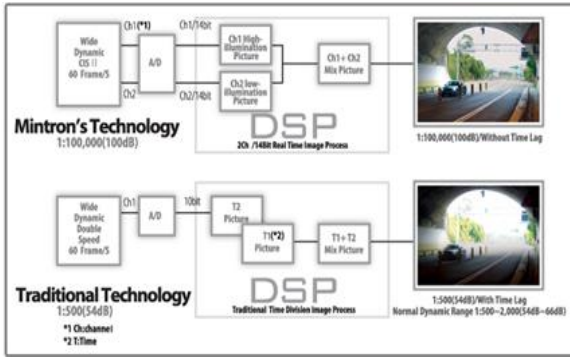
Difference parameters

MODE NO.		A-ICR	A(RS485)	A(RS485)-ICR
ICR CONTRAL	NO	Select by OSD or SW (delay time adj. by OSD)	NO	Select by OSD or SW(delay time adj. by OSD)
AUX CONNECTOR	NO	NO	RS-485(Pelco P/D) I/F for OSD control	RS-485(Pelco P/D) I/F for OSD control
POWER SUPPLY	DC12V / 250mA or AC24V / 120mA	DC12V / 250mA or AC24V / 120mA	DC12V / 250mA or AC24V / 120mA	DC12V / 250mA or AC24V / 120mA

MODE NO.		D-ICR	D(RS485)	D(RS485)-ICR
ICR CONTRAL	NO	Select by OSD or SW(delay time adj. by OSD)	NO	Select by OSD or SW(delay time adj. by OSD)
AUX CONNECTOR	NO	NO	RS-485(Pelco P/D) I/F for OSD control	RS-485(Pelco P/D) I/F for OSD control
POWER SUPPLY	DC12V / 250mA	DC12V / 250mA	DC12V / 250mA	DC12V / 250mA

Common parameters

TV SYSTEM	NTSC	PAL
IMAGE SENSOR	1/3-inch SVGA format CMOS Image Sensor	
CCD TOTAL PIXELS	835(H) X 625(V)	
EFFECTIVE PIXELS	771(H) X 492(V)	753(H) X 582(V)
SYNC SYSTEM	Internal / Line-Lock (3.3V VD pulse input)	
MINIMUM ILLUMINATION	Less 0.01 lux AGC(30dB) / SENS-UP(OFF)	
LENS & VIEW ANGLE	C/CS MOUNT	
RESOLUTION	540 TVL	
WHITE BALANCE	Mode	ATW / AWC
	Range	3200 ~ 10000 9K
GAIN CONTROL	AGC Auto / Manu Select by OSD(Fix 6dB,Auto 24dB,Total 30dB)	
S / N RATIO	52dB (Gamma, Aperture, AGC OFF,3D DNR ON)	
DYNAMIC RANGE	94dB	
FRAME INTEGRRATION	Select by OSD (Max.10X)	
H-MIRROR FUNCTION	Select by OSD	
V-MIRROR FUNCTION	Select by OSD	



The specifications and appearance of the product may changed without notice.

B.L.C. FUNCTION		Select by OSD
ZOOM FUNCTION		Select by OSD
FLICKLESS		Select by OSD
ENHANCE		Select by OSD
AUTO IRIS		A.E.S. / DC-IRIS
DNR		Built-in 3D_DNR (Digital Noise Reduction)
ELECTRONIC SHUTTER	A.E.S.	1/60(50)~1/120,000 sec.
	FIX	1/60(50),1/100(120),1/250,1/500, 1/1000,1/2000,1/4000,1/10000sec.
VIDEO OUTPUT	ANALOGY	1.0V p-p composite video at 75 ohm
AUX CONNECTOR		Option RS-485 I/F(for OSD control)
GAMMA CORRECTION		0.45
OPERATION TEMPERATURE		-20 ° C TO 50 ° C
OPERATIONAL HUMIDITY		within 85 % RH

GUARANTEE

On this product is a guarantee period available of 1 year.